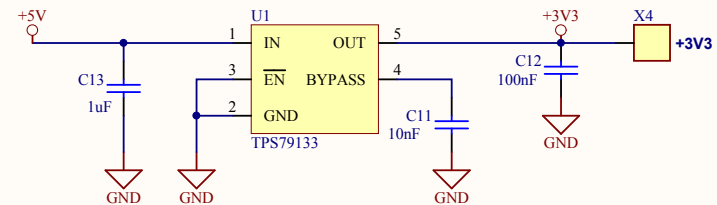
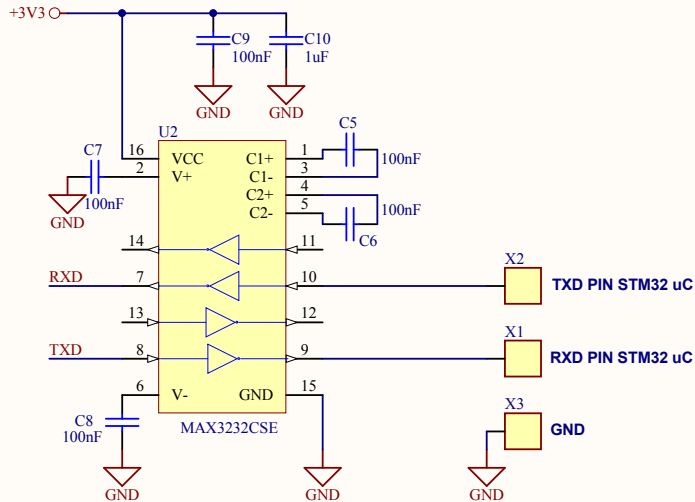
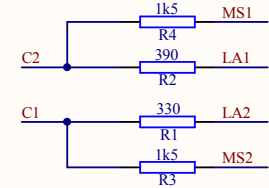
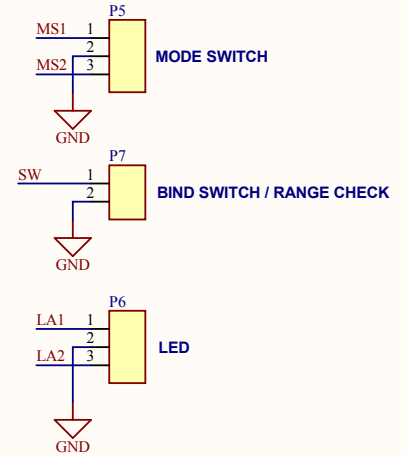
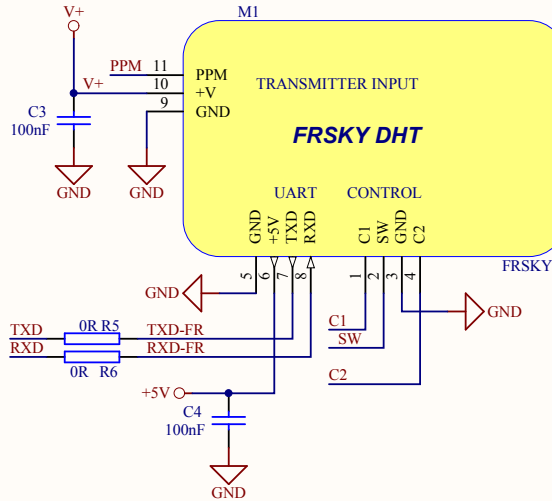
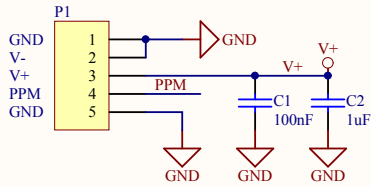


MAIN BOARD FUTABA



Title FrSky Main board		
Size A4	Number	Revision 0.1
Date: 24-7-2011	Sheet of 1	
File: D:\Pavako RC Equipment\..FrSKY mainboard\mainboard.Dwg P. van Kooten		